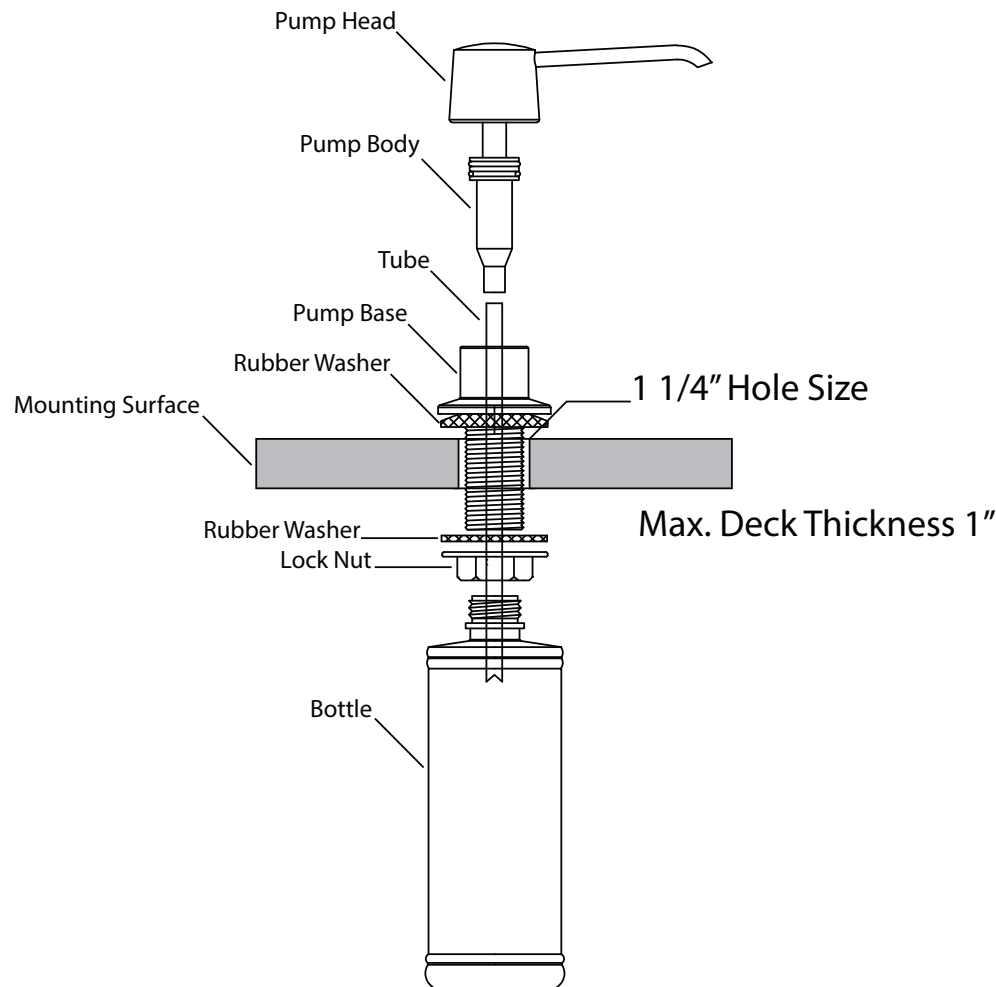


Installation Guide

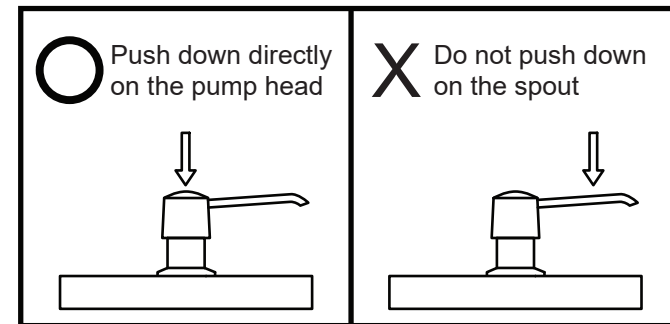
1. Insert the pump base through the mounting hole. Make sure the base is sitting on the rubber washer.
2. Install the rubber washer and lock nut from below. Tighten the lock nut to secure the pump base.
3. Attach the plastic bottle to the base. Do not over tighten the bottle.
4. Fill bottle with liquid from the top.
5. Attach the tube to the pump body and insert the assembly into the pump base.
6. Prime the pump and it is ready to use.



Maintenance Guide

1. Carefully read the cleaner product label and follow the instructions to ensure the cleaner is safe for use on this soap dispenser.
2. Regular cleaning can prevent soap build up on pump head and body.
3. Use a mild detergent such as liquid dishwashing soap and warm water for cleaning.
4. Do not use abrasive / harsh chemical when cleaning the fixture as they will damage and dull the finish.
5. Test the cleaner on a small area before using on the entire surface.
6. Do not leave the cleaner on the fixture longer than necessary.
7. When using spray cleaners, spray first onto a soft cloth or sponge. Never spray directly onto the faucet as droplets can enter openings and gaps and cause damage.
8. After cleaning, rinse thoroughly with clean water to remove any cleaner residue.

Instruction



Troubleshooting

| Problem | Probable Cause | Remedy |
|-----------------------------|---|--|
| Pump Does not dispense soap | <ol style="list-style-type: none"> 1. Liquid may be too thick 2. Pump mechanism may be clogged 3. Spring mechanism is not working 4. Dispenser has not been used in a long period of time | <ol style="list-style-type: none"> 1. Dilute the soap with some water 2. Clean pump head and tube with running water 3. Replace pump head spring 4. Clean pump head and parts with running water |
| Pump feel sluggish | <ol style="list-style-type: none"> 1. Soap may have dried out and clogged the pump head 2. Spring mechanism is not working | <ol style="list-style-type: none"> 1. Clean pump head and parts with running water 2. Replace pump spring |